



## DYNAMIX DMX 160

Ref : MX060

### DYNAMIX SERIES



### Description

- Lightweight, quick, efficient and powerful
- Detachable mixer tool that can be easily dismantled for easy cleaning
- Stainless steel mixer tube and guard
- Titanium-plated blade easy to remove
- Variable speed as standard
- Ergonomic
- Quiet
- Multifunction thanks to its interchangeable attachments (standard or emulsifying blades beater or emulsifying discs, detachable whisks, ricer/foodmill attachment, cutter bowl, 1- or 3-litre-graduated bowl)

#### Accessories



#### Discs/blades

OUTPUT MAX	220 W
SPEED	3000 to 13 000 R.P.M.
VOLTAGE	110 - 120 ou 220 - 240 V
TOTAL LENGTH	395 mm / 15.5"
SHAFT LENGTH	160 mm / 6.3"
DIAMETER	55 mm / 2.2"
ACTUAL WEIGHT	1 kg / 2.2 lbs

### Use

**Mixer** : Indispensable for the preparation of soups, salad dressings, gravies, sauces, mayonnaise, refried beans and many other applications.

**Blender tool** : It allows to crush, mix and smooth excellent soups, sauces, fruit creams directly in the pots. In just 3 minutes you get a smooth and perfect texture.

**Whisks** : To prepare batters, creams and mousselines easily.

**Ricer** : Perfect to realize purees or smooth vegetable creams, compotes...

**Cutter** : It allows to crush, mix, chop vegetables, garlic, onions, herbs, parsley, nuts, almonds, meats, Parmesan, etc.

**Capacity** : 1 to 4 L.

### Maintenance

Clean the accessories by passing them under the faucet.

To clean the mixer tools, put the tube with the blade protector in clear water and start the machine for 3 seconds or more to clean the inside of the blade protector.

Never clean this machine with water jet spray.

Wash the motor block with a sponge or with a slightly damp cloth.

Dynamic  
 518 rue Léo Baekeland  
 BP57 - 85290 Mortagne sur Sèvre  
 Tel : +33 (0)2 51 63 02 73  
 Fax : +33 (0)2 51 63 02 73  
 E-mail : contact@dynamicmixers.com

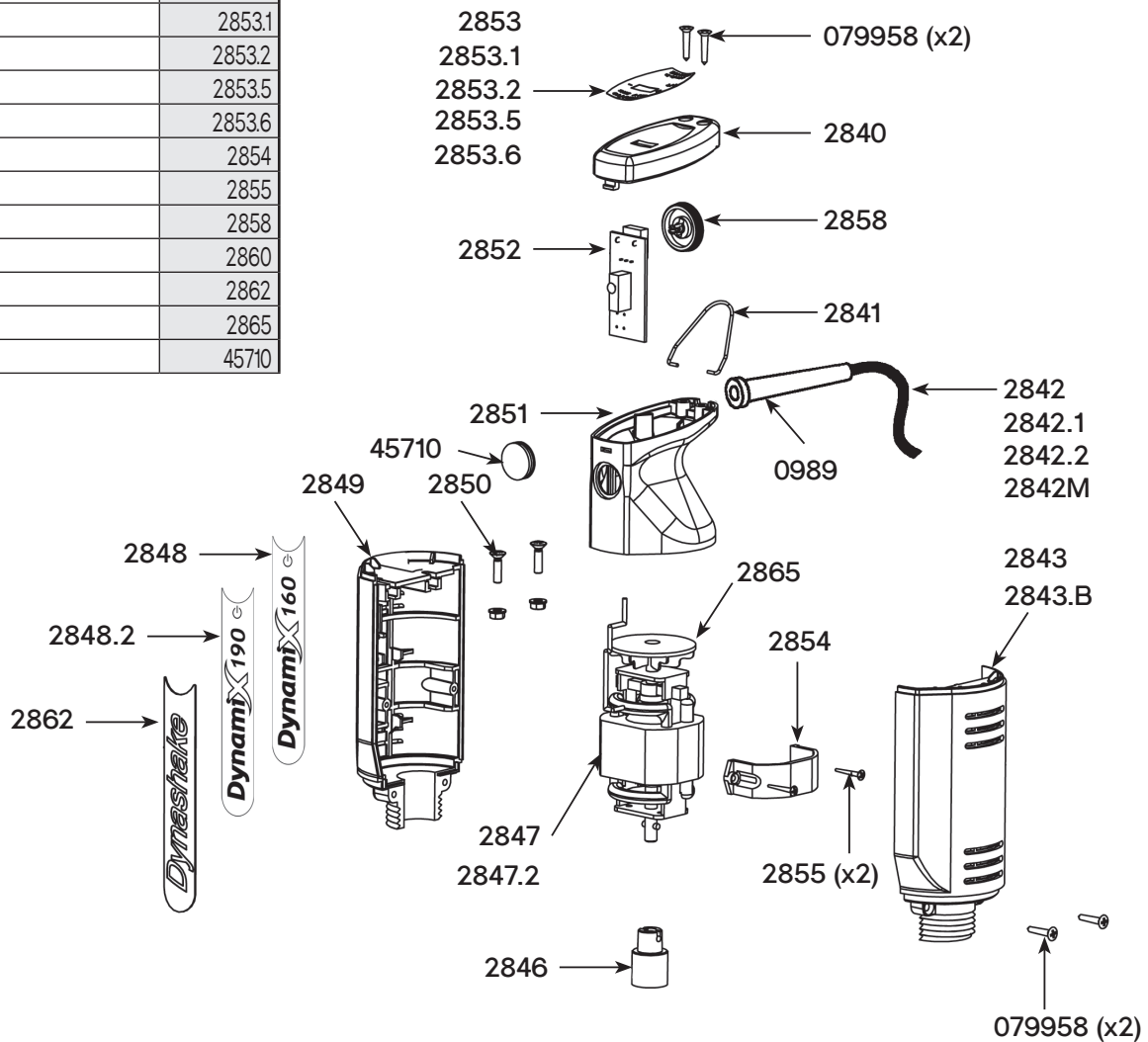
www.dynamicmixers.com

# TECHNICAL SHEET

## Parts list

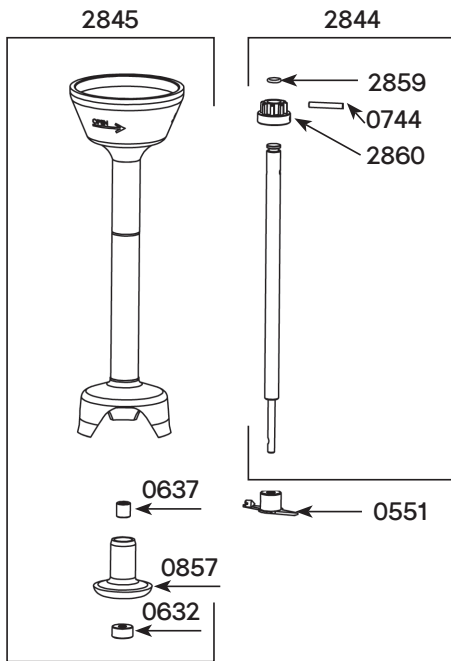
## Code

Strain relief 230 V	0989
Cover or handle screws (2)	079958
Cover	2840
White cover	2840.B
Hook	2841
Power cord 230V	2842
Power cord 115V	2842.1
Power cord UK	2842.2
Right handle	2843
White right handle	2843.B
Coupling	2846
Motor 230V - D160	2847
Motor 115V	2847.1
Motor 230V - D190	2847.2
160 Dynamix label	2848
190 Dynamix label	2848.2
Left handle	2849
White left handle	2849.B
Screws + washer + handle nuts (2)	2850
Hood	2851
White hood	2851.B
Circuit board 230V	2852
Circuit board 115V	2852.1
ID label D160 (230V)	2853
ID label D160 (115V)	2853.1
ID label D190 (230V)	2853.2
ID label Dynashake (230V)	2853.5
ID label Dynashake (115V)	2853.6
Motor belt	2854
Screws for motor belt (2)	2855
Variator knob	2858
Coupling hub	2860
Dynashake label 230 V	2862
Dynamix turbine	2865
Handle cap protectors	45710

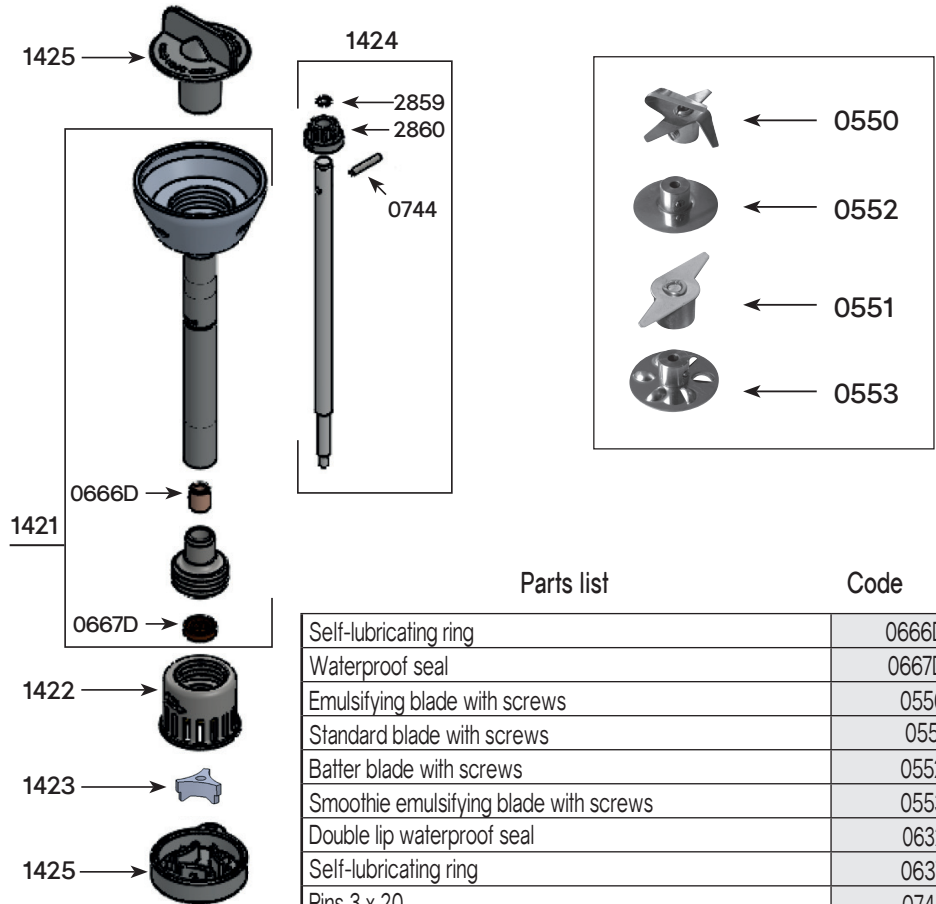


# TECHNICAL SHEET

M 160 - Ref AC520



Blender Dynamix® - Ref AC560



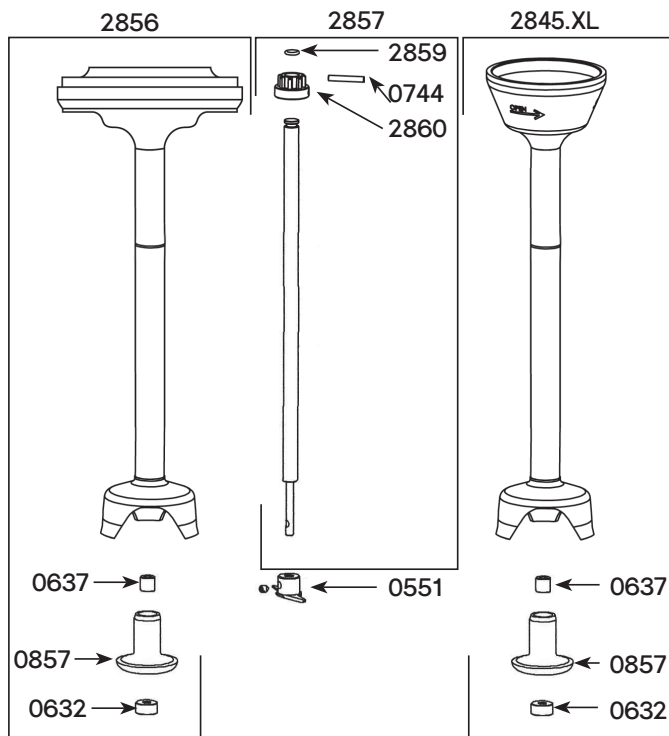
Parts list

Code

Self-lubricating ring	0666D
Waterproof seal	0667D
Emulsifying blade with screws	0550
Standard blade with screws	0551
Batter blade with screws	0552
Smoothie emulsifying blade with screws	0553
Double lip waterproof seal	0632
Self-lubricating ring	0637
Pins 3 x 20	0744
Bearing holder	0857
Brace with rings	1421
BLENDER DYNAMIX bell	1422
BLENDER DYNAMIX crushing knife	1423
Shaft (coupling, pin, O ring)	1424
Dismounting tool	1425
Shaft and bearing	2844
Dynamix foot assembly + ring + seal	2845
Extended Dynamix foot assembly + ring + seal	2845.XL
Dynashake foot assembly + ring + seal	2856
Shaft and bearing	2857
Driving shaft joint	2859
Coupling hub	2860

M Shake 190 - Ref AC530

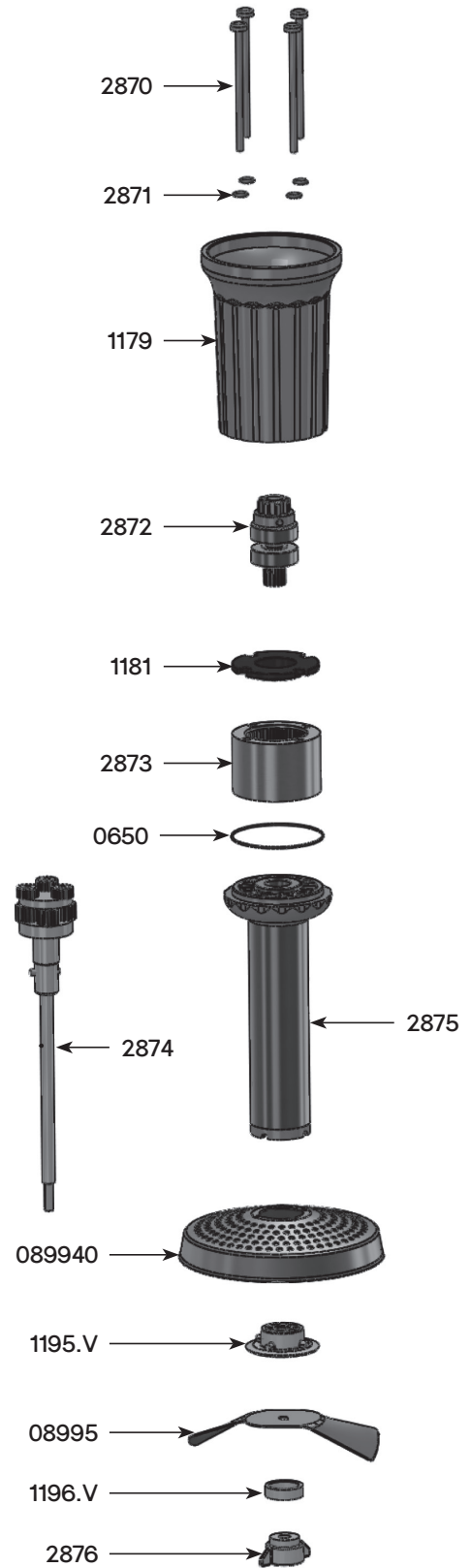
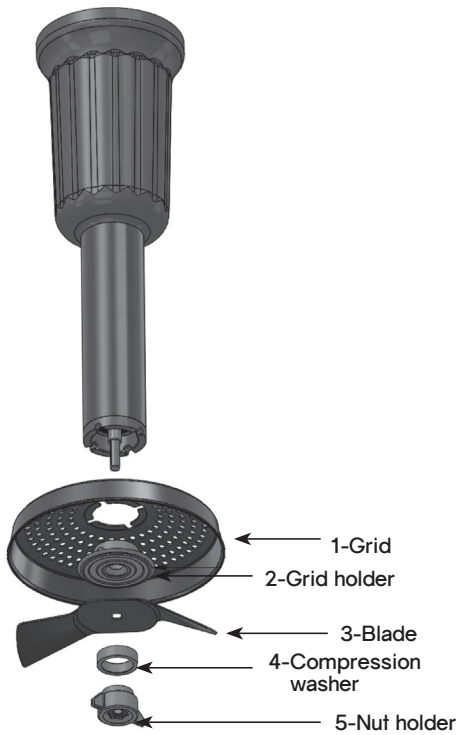
M 190 - Ref AC550



# TECHNICAL SHEET

## RICER TOOL DYNAMIX - Ref AC517

Parts list	Code
O. ring	0650
Potato blade	08995
Potato grid	089940
Ricer inferior carter	1179
Secured washer	1181
Grid holder	1195.V
Compression washer	1196.V
Handle screws (4)	2870
O. ring (x4)	2871
Equipped upper shaft	2872
Interior geared crown	2873
Equipped output shaft	2874
Equipped spacer for potato ricer	2875
Nut holder + nut	2876



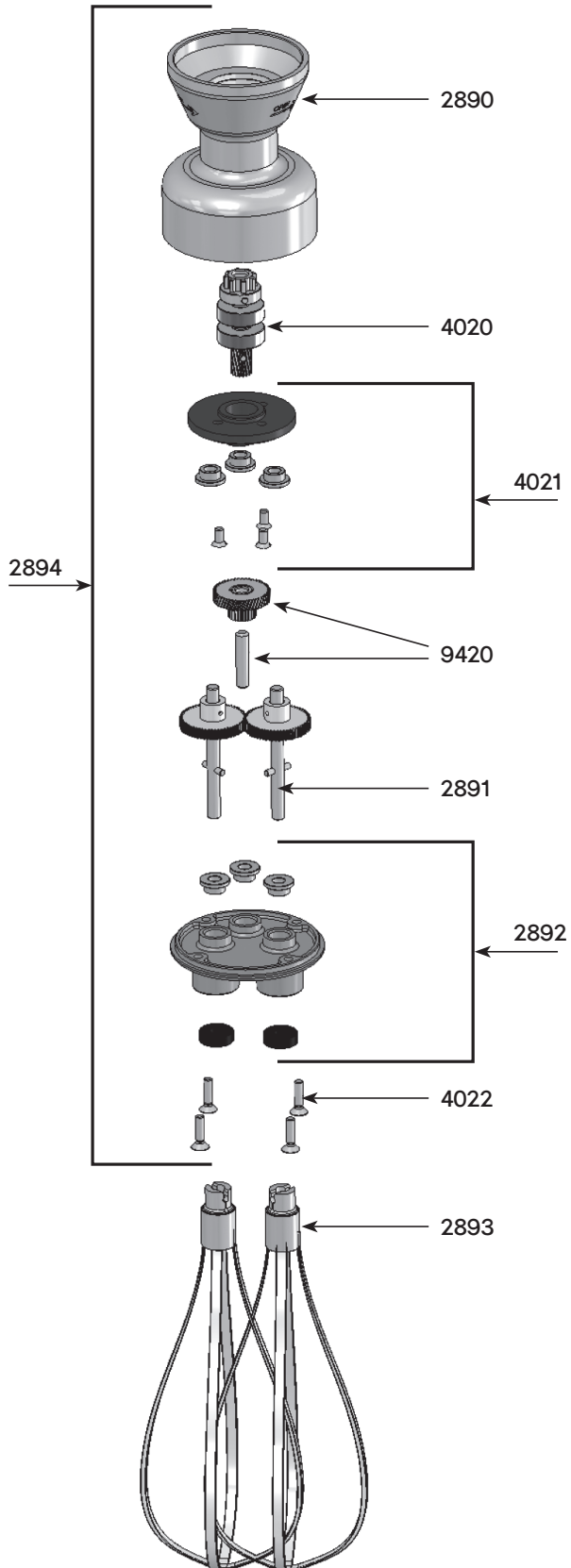
## WHISK DYNAMIX - Ref AC516

### Parts list

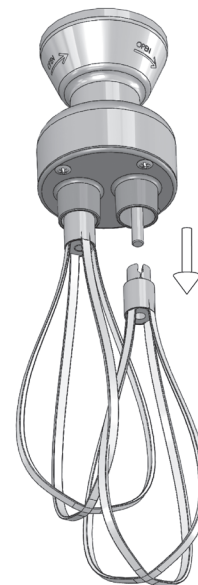
### Code

Parts list	Code
Lower motor whisk housing	2890
Equipped output axle w/ 2 gears+pins	2891
Holder assembly w/ 3 self-lubricating rings	2892
Whisk tool (2)	2893
Reduction gear assembly (without whisk)	2894
Equipped upper shaft	4020
Equipped plate with rings	4021
Holder assembly screws	4022
Middle gear & axle	9420

### Dynamix whisks



### Whisk tool dismantling



# TECHNICAL SHEET

## CUTTER BOWL DYNAMIX - Ref AC518

Parts list Code

Base	1178.V
Equipped cover	2880
Blade	2881
Bowl	2882

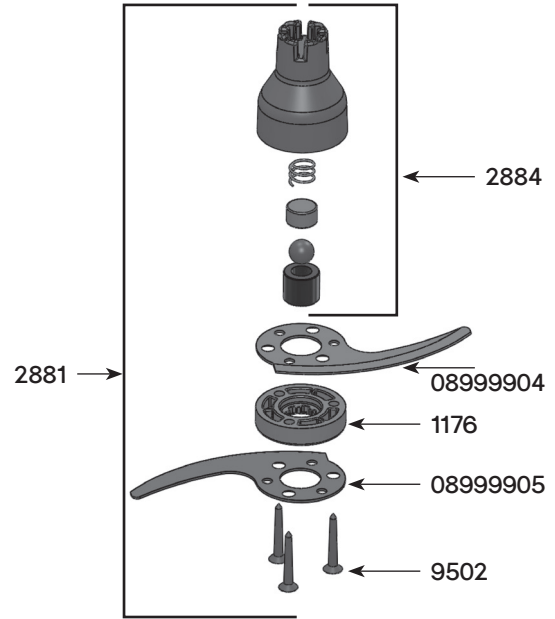
Equipped lid ..... 2880

O. ring	0658
O. ring (x4)	2871
Equipped upper shaft	2885
Handle screws (4)	2886
Reduction plate + ring	2887
Lid + reduction gear	2888

Blade ..... 2881

A blade	08999904
B blade	08999905
Blade holder	1176
Equipped cone	2884
Set of screws (x3)	9502

Blade



Equipped lid

